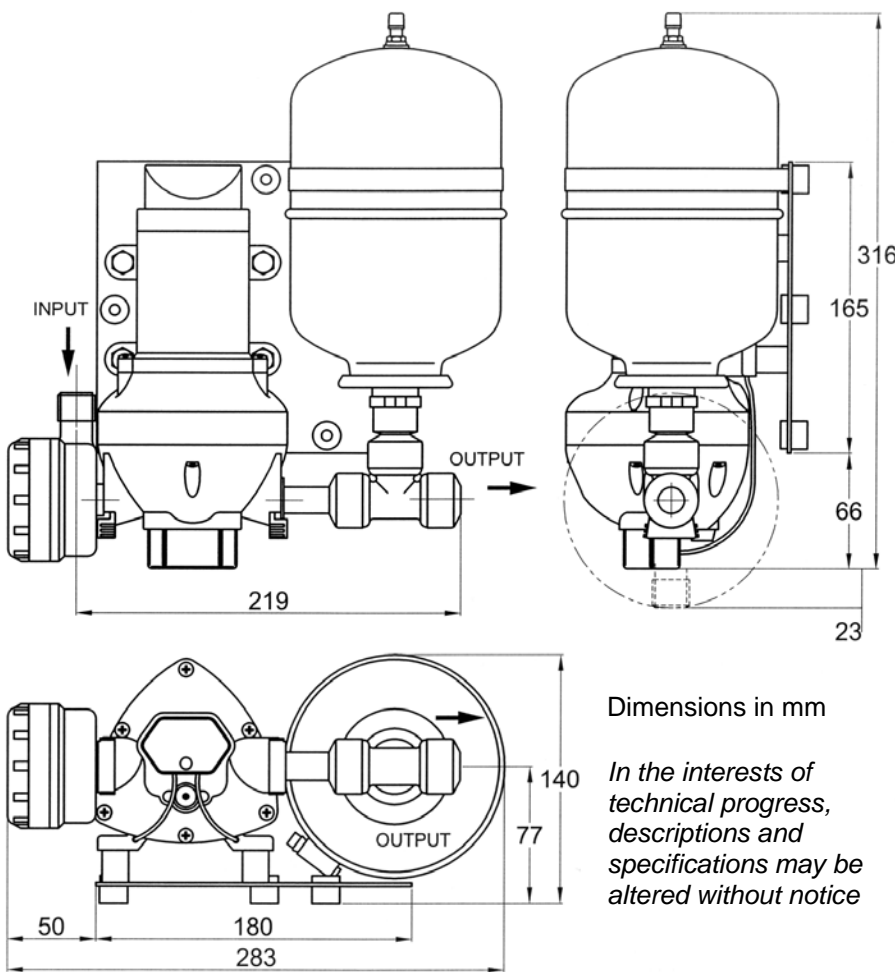


In addition to the pump itself, pressurised water systems require an inlet strainer and a pressure reservoir (accumulator tank) for smooth, reliable operation. The **MAXI-SYSTEM 2.9** combines them all in one compact unit. No time-consuming assembly work – just 3 mounting screws, 2 electrical leads and 2 pipe connections.....and the job's done.

**MAXI-SYSTEM 2.9** offers savings all-round!

- ◆ Jabsco's 2.9 pump: powerful, very quiet and inexpensive
- ◆ Ultra-simple to install, using 15mm Hep<sub>2</sub>0 push-fit pipework
- ◆ Pressure switch cuts in at 15 psi, out at 25 psi
- ◆ Ample flow for up to 3 outlets in smaller boats



Model no	Volts dc	Amp draw	Fuse size amps
<b>CW462</b>	12	4.0	10
<b>CW464</b>	24	2.0	6

<b>Cut-in pressure</b>	15 psi (1 bar)
<b>Cut-out pressure</b>	25 psi (1.7 bar)

# CLEGHORN WARING

## MAXI-SYSTEM 2.9

PRESSURISED  
WATER SYSTEM  
12 AND 24 VOLTS DC



- ◆ Up to 11 litres/minute (2.4 gallons/minute) for up to 3 outlets in smaller boats
- ◆ Smooth flow
- ◆ Very quiet
- ◆ Easy to fit – pre-assembled for ultra-simple installation
- ◆ Quick and easy Hep<sub>2</sub>0 push-fit pipe connections

DOC427/06

Cleghorn Waring & Co (Pumps) Ltd  
Icknield Way Letchworth Garden City  
Hertfordshire SG6 1EZ  
Telephone: +44 (0)1462 480380 Fax: +44 (0)1462 482422  
E-mail: mail@cleghorn.co.uk www.cleghorn.co.uk