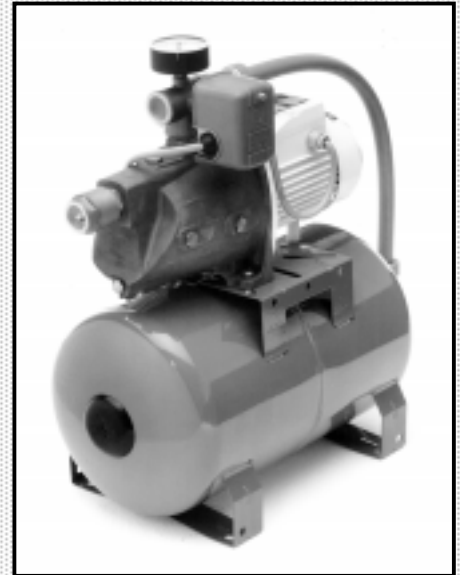


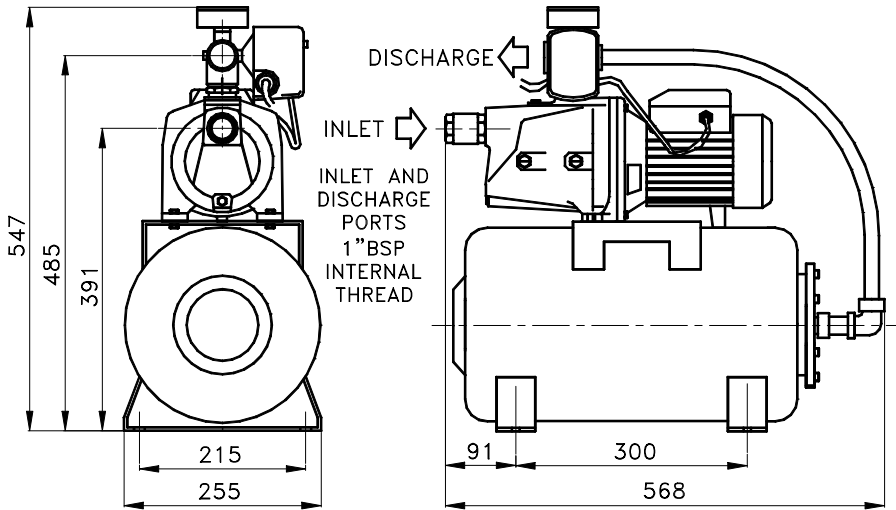
CLEGHORN WARING

HIGH CAPACITY
PRESSURISED
WATER SYSTEM

AQM6 SERIES



- ◆ For heavy use in larger vessels. Serves up to 12 outlets
- ◆ Complete self-priming pressure system with 20 litre accumulator tank (membrane type), heavy-duty adjustable pressure switch and pressure gauge
- ◆ Corrosion resistant bronze pump body, suitable for use with fresh or salt water
- ◆ Quiet running
- ◆ Single phase and d.c. units wired ready for use



MODEL	DESCRIPTION
AQM6-24	Pressure system 24 volt dc
AQM6-230	Pressure system 230 volt ac 1 - phase
AQM6-400	Pressure system 400 volt ac 3 - phase
AQM6-400-60	Pressure system 400 volt ac with 60 litre tank*
AQM6-4406	Pressure system 440 volt ac with 60Hz motor

*dimensions on request

OUTPUT –

up to 50 litres/minute (11 gallons/minute) open flow

CONNECTIONS –

1" BSP suitable for use with HX31/28 connector for 28mm (1") Hep₂O push-fit pipework

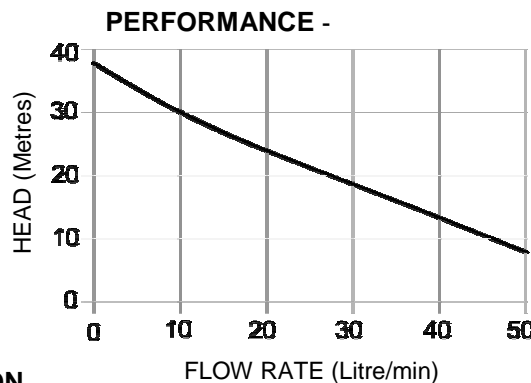
PRESSURE SWITCH –

(Standard settings)
cut in 1.4bar (20psi) (14m head)
cut out 2bar (30psi) (20m head)

WEIGHT - 27 kg

RECOMMENDED FUSE SIZE –

24 volt - 24 amp
230 volt ac (0.45kw)



MATERIALS OF CONSTRUCTION

Pump body & impeller	bronze
Pump shaft	AISI 316 stainless steel
Mechanical shaft seal	carbon-ceramic
Accumulator tank	painted steel, nitrogen-filled, with neoprene rubber membrane
Electric motor	aluminium frame, stainless steel shaft, enclosure – 24v dc IP22 AC units IP44

DOC 309/00

Cleghorn Waring & Co (Pumps) Ltd

Icknield Way Letchworth
Hertfordshire SG6 1EZ

Telephone: +44 (0)1462 480380

Fax: +44 (0)1462 482422 E-mail: mail@cleghorn.co.uk