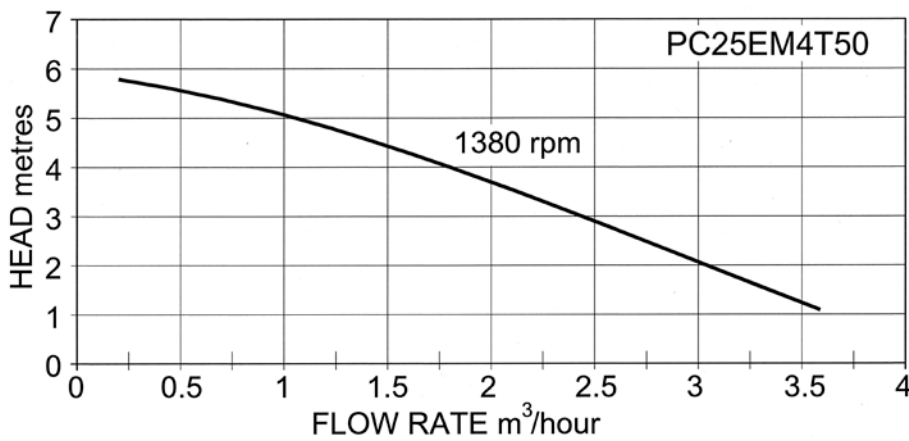


## PC25 EM4T50

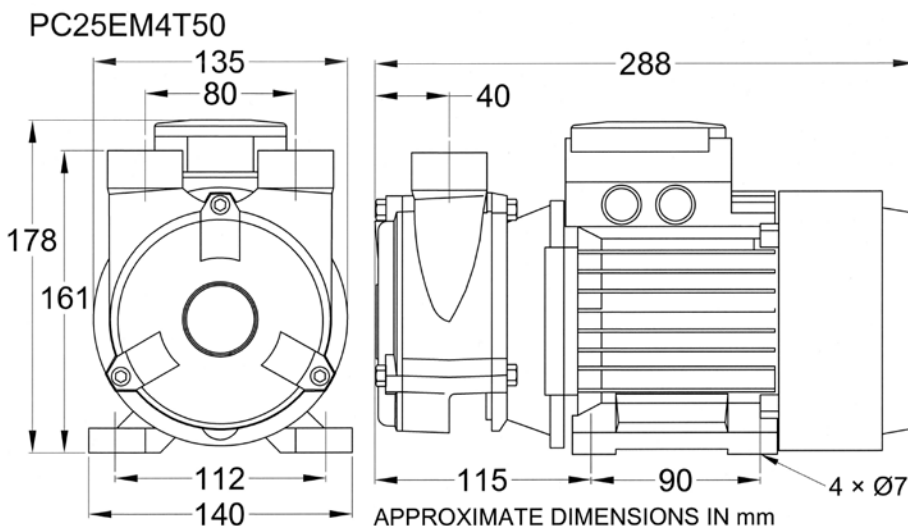


PERFORMANCE					
Model	Maximum flow rate			Maximum head	
	l/min	cu.m/hr	gall/min	metres	feet
<b>PC25EM 4T50</b>	60	3.6	13	5.8	19



### DIMENSIONS IN MM (APPROX.)

WEIGHT: 13Kg



**Standard a.c. motor** 0.37Kw, 1380 rpm 400v/3/50Hz, totally enclosed fan ventilated IP55 enclosure. Contact your pump supplier for details of alternative motors

### MATERIALS OF CONSTRUCTION

Pump casing	bronze
Impeller	bronze
Shaft	stainless steel AISI316
Pump head bolts	stainless steel
O-ring static seal	nitrile rubber

*Pump performance and specification are subject to alteration without notice*

**1" BSP BRONZE  
SELF-PRIMING-SIDE  
CHANNEL PUMP  
CLOSE COUPLED to  
4 POLE 400V/3/50Hz  
230-400/3/50Hz  
IP55 MOTOR**

- ★ reliable continuous duty pump
- ★ corrosion-resistant bronze, with stainless steel shaft
- ★ self-priming up to 3m
- ★ carbon-ceramic mechanical shaft seal

**BRONZE  
PUMPS**  
*for*  
**SEAWATER**