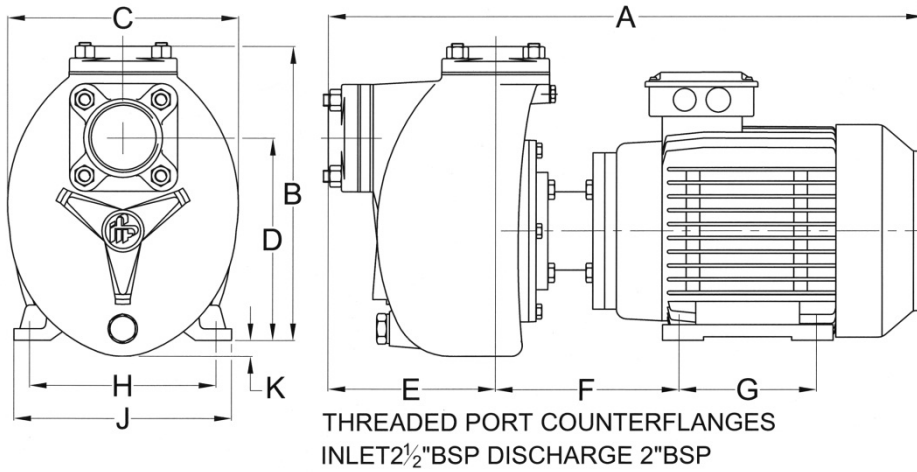


PERFORMANCE

Model	Maximum flow rate			Maximum head	
	l/min	cu.m/hr	gall/min	metres	feet
AM50DEM 2T50	733	44	161	35	115



Standard a.c. motor 5.5Kw, 2900 rpm 400v/ 3/ 50Hz totally enclosed, fan ventilated IP55 enclosure. *Contact your pump supplier for details of alternative motors

DIMENSIONS IN MM (APPROX.)

WEIGHT: 63kg

A	B	C	D	E	F	G	H	J	K
606	300	235	207	171	187	140	190	222	16

MATERIALS OF CONSTRUCTION

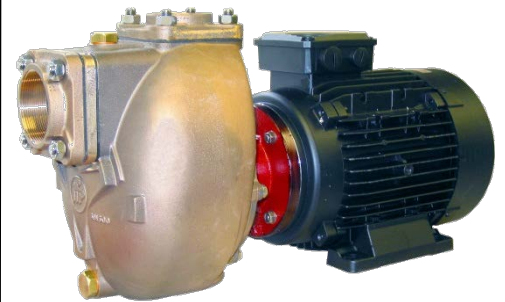
Pump casing	bronze
Impeller	bronze
Port counterflanges	bronze
Shaft	stainless steel AISI316
Motor housing	aluminium
Pump head bolts	stainless steel
O-ring static seal	nitrile rubber

Pump performance and specification are subject to alteration without notice

FP PUMPS

AM50DEM2T50

2" BRONZE SELF-PRIMING CENTRIFUGAL PUMP with CLOSE-COUPLED A.C. ELECTRIC MOTOR



- * corrosion-resistant bronze body & impeller, with stainless steel shaft
- * self-priming up to 4m
- * carbon-ceramic mechanical shaft seal

BRONZE PUMPS

for

SEAWATER

Xylem Water Solutions UK Ltd
 Bingley Road
 Hoddesdon
 Hertfordshire • EN11 0BU • UK

Tel: +44 (0)1462 480380
 Fax: +44 (0)1462 482422
 mail@cleghorn.co.uk
 www.jabscoshop.com

